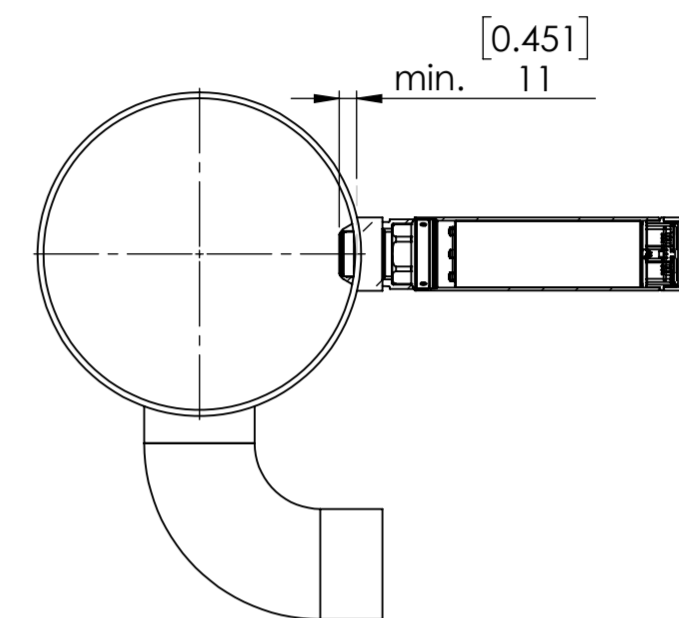
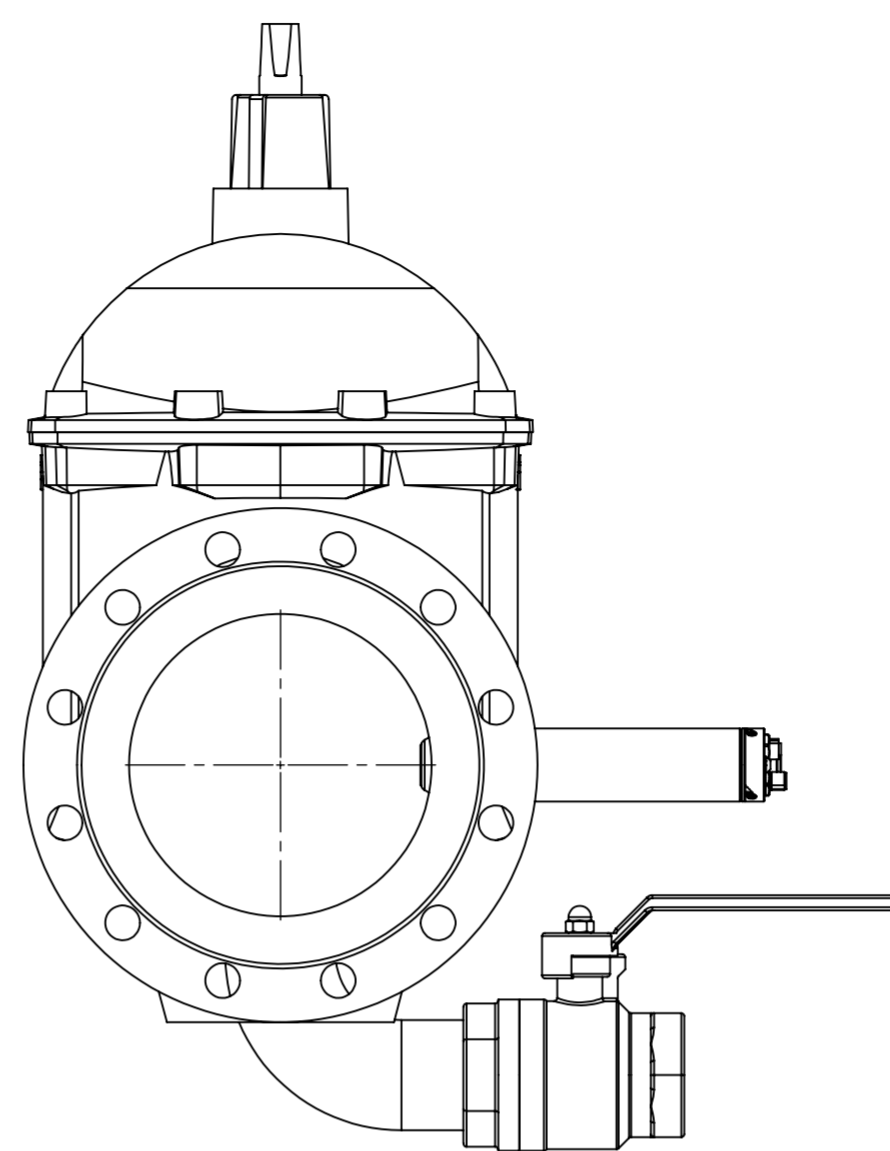
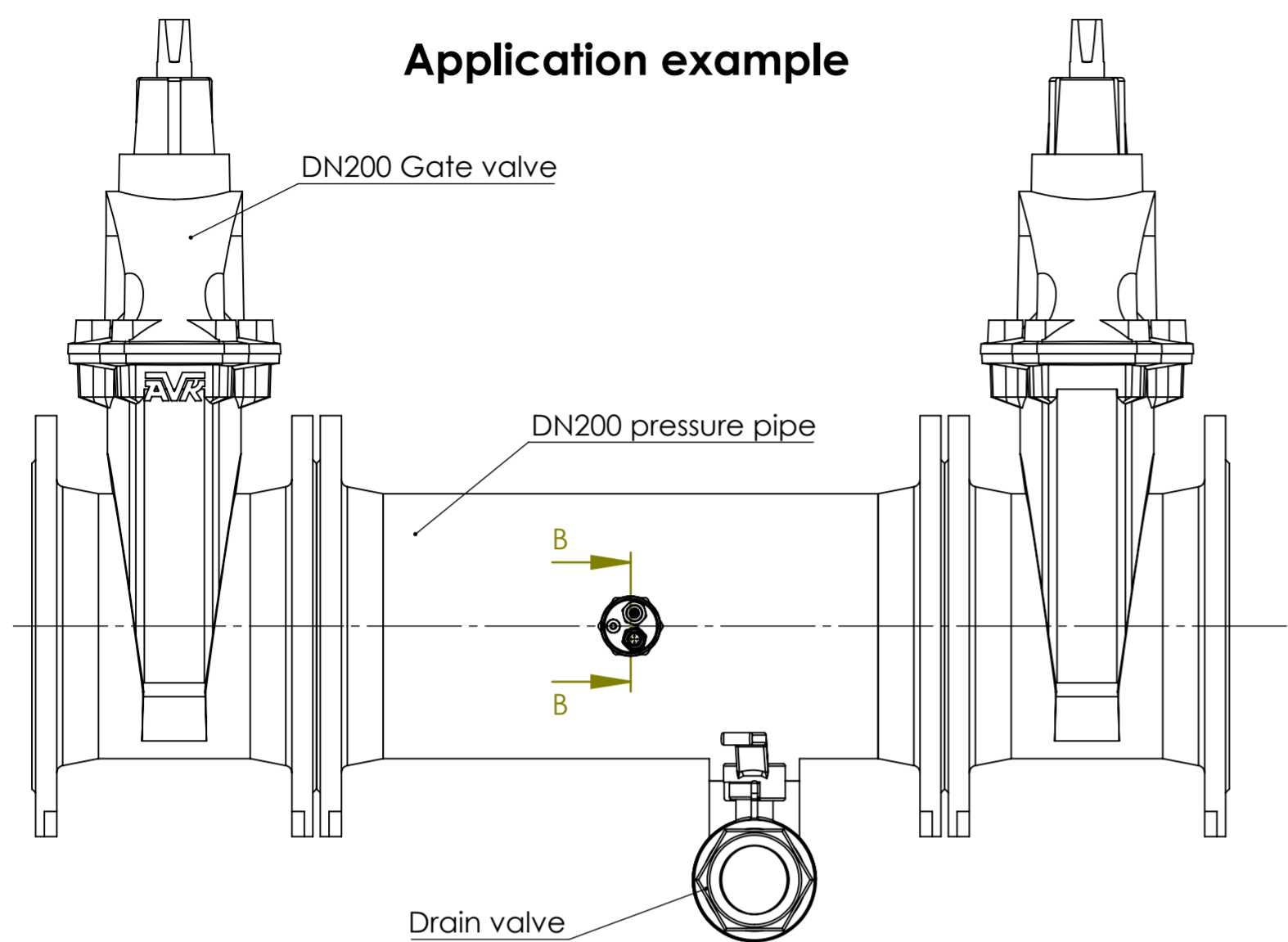
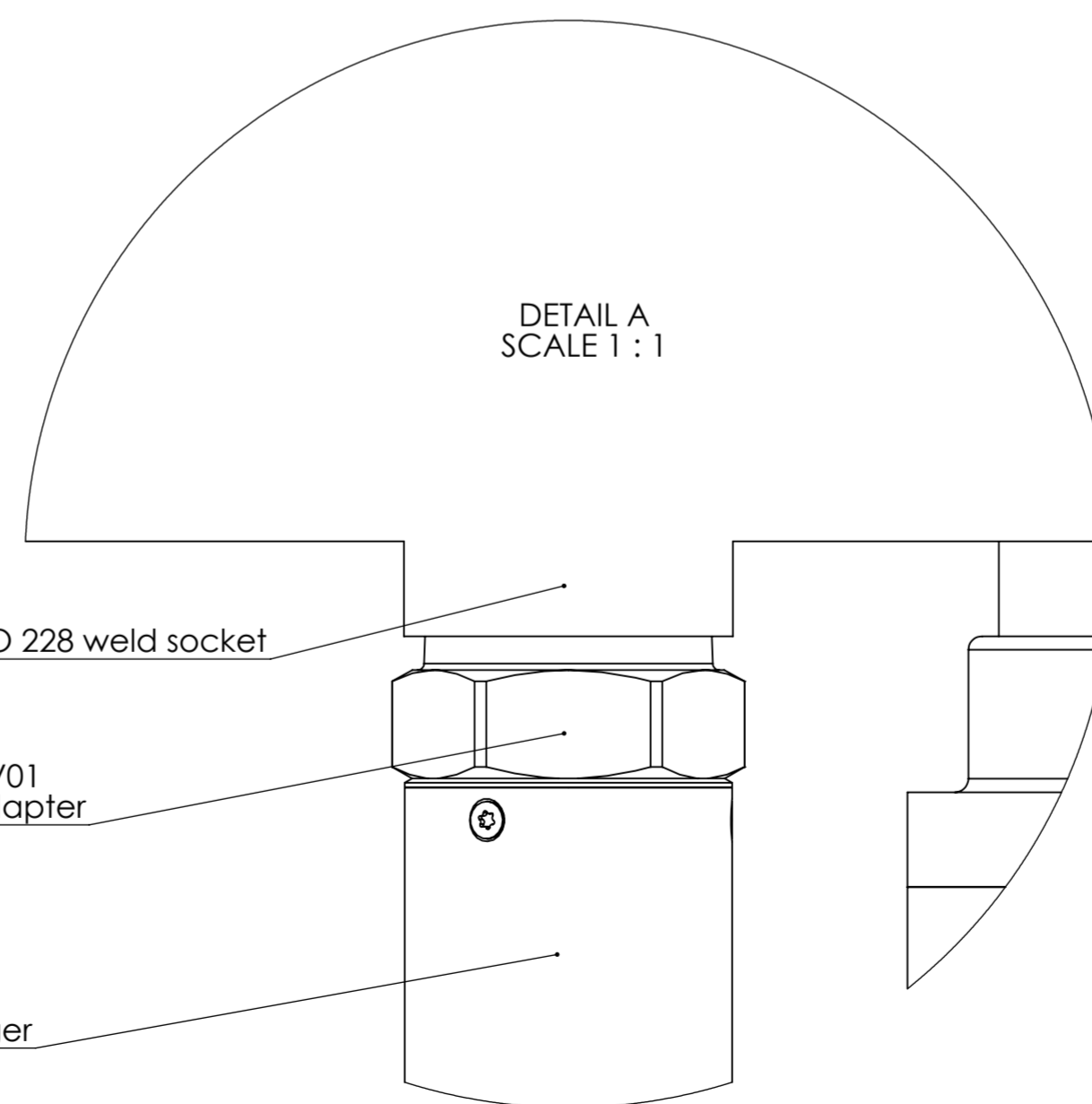
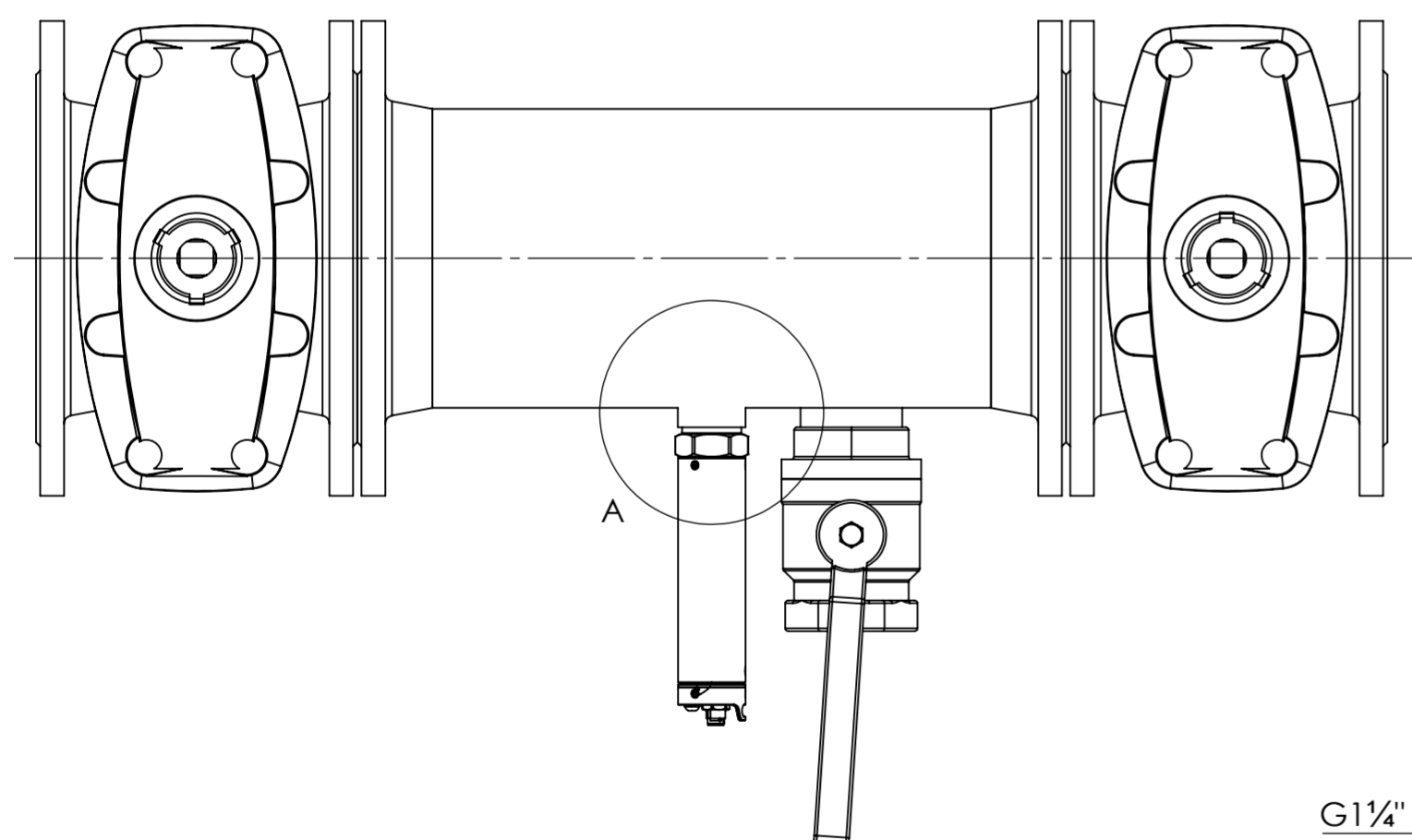


**Application example**



SECTION B-B



<p><b>SulfiLogger A/S</b>                  Tel: +45 8944 9550                  CVR nr.: DK 41 48 93 59                  E-mail: info@sulfiLogger.com                  Web: www.sulfiLogger.com</p> <p>The information contained in this drawing is the sole property of SulfiLogger A/S. Any reproduction in part or as a whole without the written permission of SulfiLogger A/S is prohibited.</p> <p>Dimensions are in mm. Do not scale drawing</p>	Division: <b>Industrial</b>	Nav item: <b>V</b>	Creator: <b>JL</b>	Date: <b>3/2/2021</b>
	Product Group/Project name: <b>Products</b>	Project number:	Q.A:	Date:
	General tolerance accuracy: <b>ISO 2768-1 m</b>	Product Family: <b>Accessories</b>	Surface:	Material:
	Approval: <b>Standard</b>	Description: <b>Large pipe inline assembly</b>	Drawing number: <b>2101d001</b>	Revision: <b>V-103</b>
Format: <b>A2</b>				